

LED Vanity Lamp

VL56416
INSTALLATION SHEET

START FROM HERE

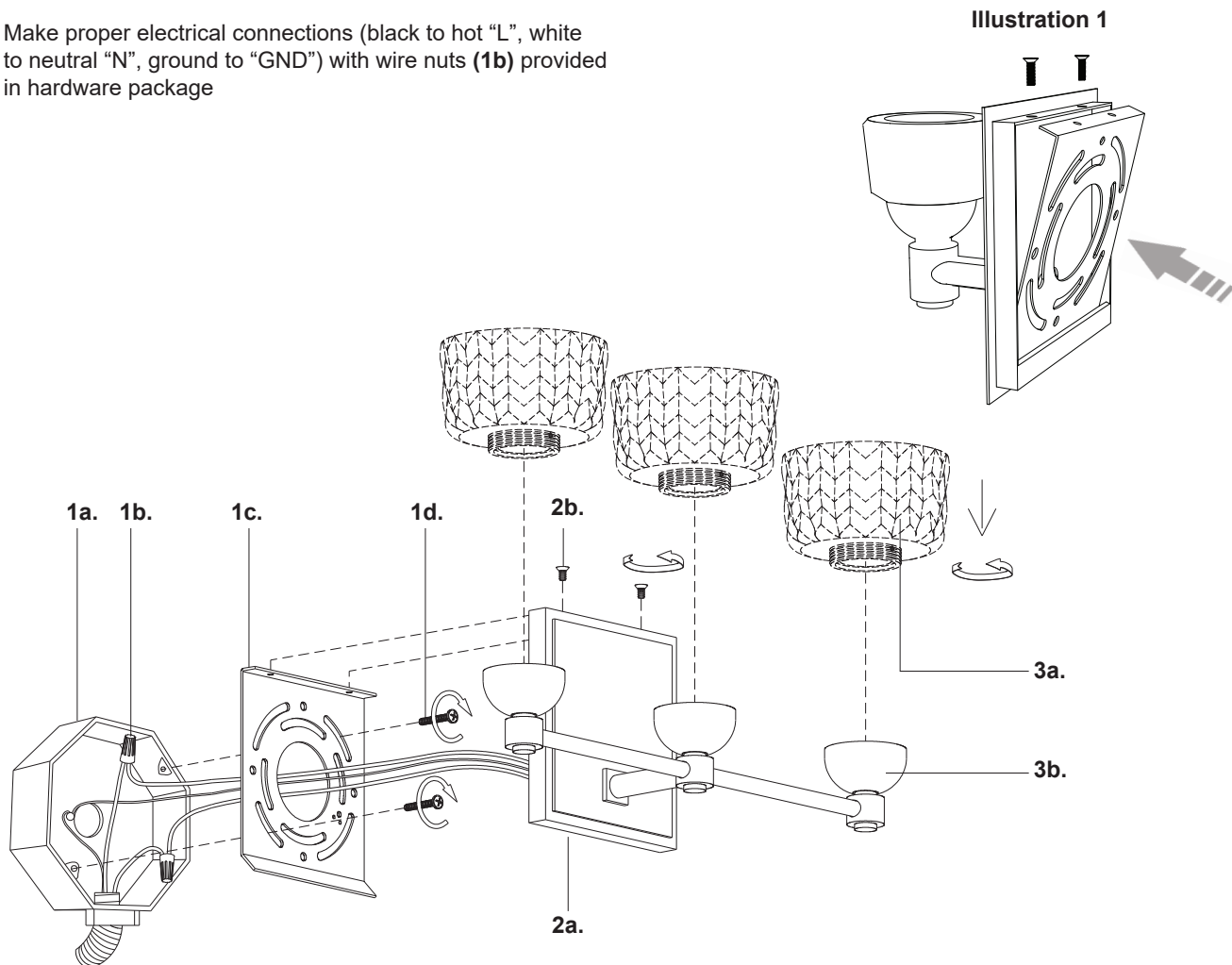
- Make sure **POWER** is **COMPLETELY OFF** at the fuse box
- Have your fixture installed by a qualified licensed electrician
- Prepare everything in a clear area
- Wear gloves at all times during this installation
- Read instructions carefully before you start assembly
- Keep this installation sheet for future reference

Technical Support: 1-855-855-8926

Please Note:

- All Kuzco LED fixture comes with pre-wired LED module(s).
- Unless instructed to do so, please do not touch any part of the LED module(s) as any unnecessary contact with the module could cause permanent damage.
- For dimming, an ELV (Electronic Low Voltage) type of dimmer is required.

1. Remove the fixture from its original packaging
2. Separate the mounting plate (1c) from the canopy (2a) by removing the screws (2b)
3. Attach the mounting plate (1c) to the electrical junction box (1a), using the two screws (1d) provided in the hardware package
4. Make proper electrical connections (black to hot "L", white to neutral "N", ground to "GND") with wire nuts (1b) provided in hardware package
5. To mount the mounting plate (1c) to the canopy (2a) tilt bottom inward followed by rotating the top (Illustration 1). Align the holes on the top and bottom of the canopy to the holes on the mounting plate. Once aligned, attach screws (2b) provided and this will secure the canopy (2a) to the mounting plate (1c)
6. Place the glasses (3a) down to the LED engines (3b) and thread turning clockwise



KUZCO

19054 28th Avenue Surrey, BC Canada V3Z 6M3
T: 604 538 7162 TF: 1-855 85 KUZCO F: 604 538 7196
W: kuzcolighting.com
20200805